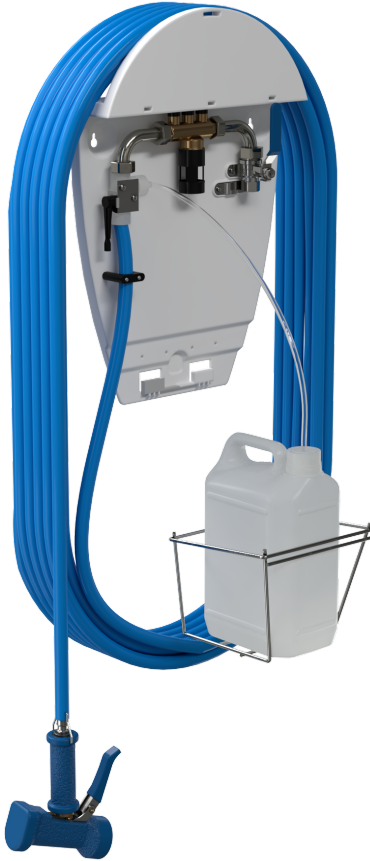




EcoSpray Basic Station - 1 Chemical

Product Datasheet



Description

Our EcoSpray Basic system is easy to use and is ideal for cleaning and disinfecting large areas with a spray gun providing targeted and widespread coverage. It offers the flexibility of being wall-mounted or assembled on a cart for a convenient mobile solution.

Key Features

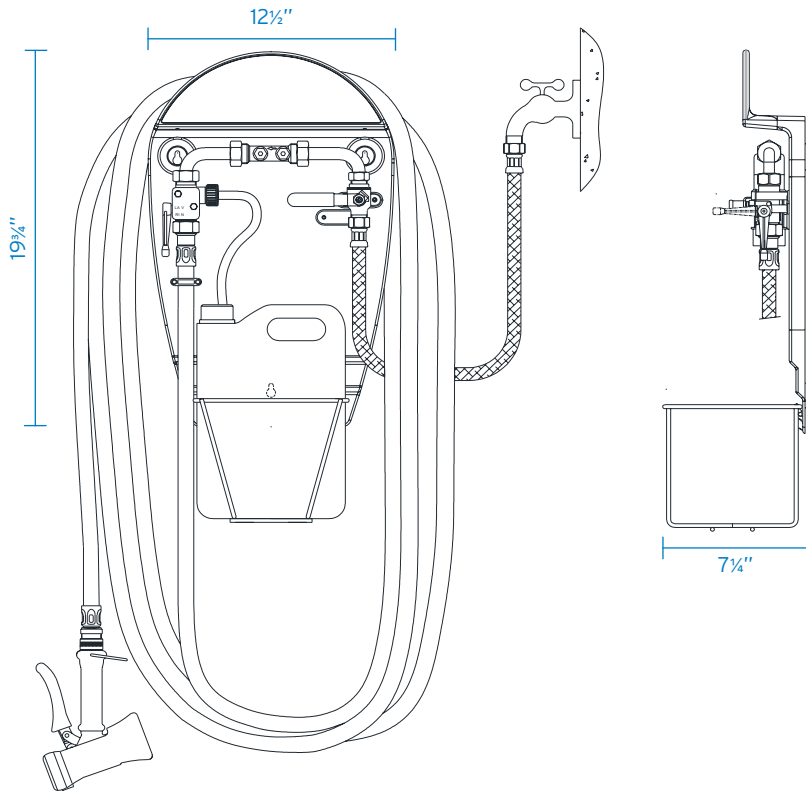
- Robust and ergonomic design
- Durable components with high chemical compatibility
- Built-in backflow prevention system
- Integrated hose rack and stainless steel canister holder
- Available with 33' or 50' hose
- Optional foam wand produces rich foam to increase chemical contact time
- Optional spray lances for improved accuracy and reach
- Customer branding available

Technical Specifications

Operation	Spray gun with locking trigger
Installation	Requires mains water connection Minimum water pressure: 22 PSI Maximum water pressure: 116 PSI Max. suction height 5' 5"
Dilution	Dilution ratio is selected with supplied metering tips ranging from 6:1 to 400:1
Water Temperature	Up to 130°F
Material	Polypropylene housing, PVDF venturi body

In the Box

EcoSpray Basic Station	Hose (33' or 50')
5' Inlet Hose (1/2" stainless steel braided)	Wall bracket for 1 gal chemical container
EcoSpray gun	Chemical suction tube
Installation kit (metering tips, fixings and chemical connections)	



Dimensions

Width 12 1/2"

Height 19 3/4"

Depth 7 1/2"

Weight

Unit 18.5 lbs

Part Numbers:

DSXXDC-XXM-X/U9

Base Unit

Hose

Spray Gun

Part Number	Description	Length	Description	Model	Description
DS20DC	EcoSpray Basic Station 1 Chemical (DC)	10M	33' hose	D	Dinga Spray Gun
		15M	50' hose	E	Ergo RB35 Spray Gun

Spare Parts

Part Number	Description	Part Number	Description
XSB2003/U9	33' hose	XSB2035/U9	Ergo RB65 Spray Gun
XSB2004/U9	50' hose	XSB2034/U9	Foam Wand Attachment
XSB2005/U9	Dinga Spray Gun		
XSB2006/U9	Ergo RB35 Spray Gun		

Shipping Info

Shipping Method	Quantity of Units	Dimensions L x W x H (in)	Net packed weight (lbs)
Unit	1	21 3/4" x 13 3/4" x 10 1/2"	20 lbs

T (+1) 913-956-4909 E sales@brightwell-inc.com W brightwell-inc.com

Brightwell Dispensers Inc. 9858 Britton Street, Lenexa, KS, 66219

All information in this data sheet is correct at the time of printing and is subject to change without notice.