



## EcoMulti Compact - 4 + 2 Chemical

### Product Datasheet



### Description

EcoMulti proportioners offer a reliable and cost-effective way of diluting multiple chemicals from one dispenser. Connected to a water mains, the flexible design makes these one-stop cleaning stations the ideal solution for even the smallest cleaning environments.

### Key Features

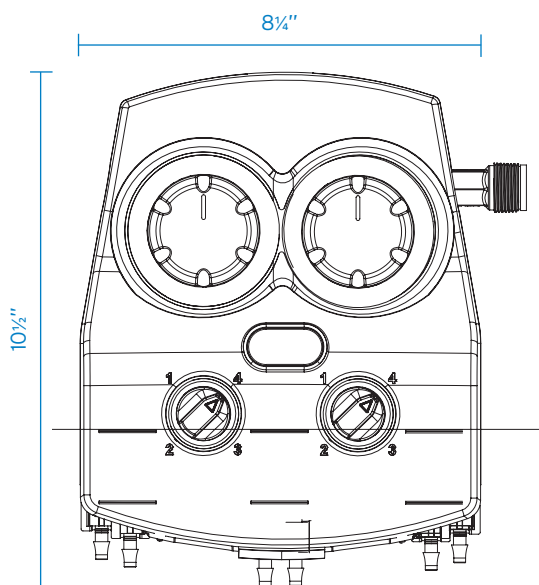
- Deliver up to 6 chemicals at distinct ratios from a single dispenser
- Simple and intuitive to use with push and hold operation
- Choice of high and low flow combinations to suit volume and precision applications
- 12 precise dilution ratios with our patented dilution pin technology
- Easy mounting of multiple systems using interconnected water inlets
- Standard with male GHT (female adapter included)
- Available with secure chemical cabinets and attachable bottle bracket

### Technical Specifications

<b>Operation</b>	Intuitive dial and push operation. Twist and lock option for high capacity applications.
<b>Installation</b>	Working temperature range 40 - 150°F. Working pressure range 30 - 90 PSI Minimum water flow required: High flow = 4 gal/min Low flow = 1 gal/min
<b>Dilution</b>	Select up to 12 independent dilution ratios per chemical Ultra Dilution Pin: Low flow 4:1 to 168:1, High flow 8:1 to 367:1 Ultra Plus Dilution Pin: Low flow 4:1 to 280:1, High flow 8:1 to 596:1
<b>Capacity</b>	Suction from any sized container. Cabinet available for 50 oz pouch, 64 oz or 84 oz container, 1 gal container or 101 oz pouch.
<b>Material</b>	Cover/Backplate/Dial Selector: Glass Bead Polypropylene (GBPP) Proportioner Pusher: ABS Internal tubing and seals: EPDM (Viton and Extreme Viton available) Dilution dial: PVDF
<b>Color</b>	Cover: Dark grey; Rings: Standard in light grey. Rings also available in blue, green, red, and yellow.
<b>Branding</b>	The dispensers can be branded with your company name or logo (MOQ's apply)
<b>Approvals</b>	Includes backflow prevention meeting ASSE 1055
<b>Accessories</b>	Hanging bottle bracket, secure chemical cabinets, colored rings
<b>Warranty</b>	2 years

## In the Box

EcoMulti Compact Unit	Clear vinyl chemical suction tube - 1/4" x 3/8"
Dispenser key	Instruction manual
Ceramic weight x 6	Drilling template
Foot filter x 6	Screw pack
Low flow outlet tube	Bottle bracket and clips
High flow 5 ft outlet tube	Bucket hook



## Dimensions

Width	8 1/4"
Height	10 1/2"
Depth	5 1/4"

## Weight

Unit	3.31 lbs
------	----------

## Part Numbers

DXC4L2H-CG/U9	EcoMulti Compact, 4 x Low Flow, 2 x High Flow, Dark Grey Cover, Light Grey Ring, BrightGap
---------------	--

## Shipping Info

Shipping Method	Quantity of Units	Dimensions L x W x H (in)	Net packed weight (lbs)
Unit	1	15 1/2" x 12 1/4" x 6 3/4"	6.8 lbs
Case	2	24 3/4" x 21 1/4" x 10 3/4"	15.5 lbs
Pallet	54	47 1/4" x 39 1/2" x 46"	421 lbs

**T** (+1) 913-956-4909 **E** sales@brightwell-inc.com **W** brightwell-inc.com

Brightwell Dispensers Inc. 9858 Britton Street, Lenexa, KS, 66219

All information in this data sheet is correct at the time of printing and is subject to change without notice.