



## EcoRange Cabinet

### Product Datasheet



### Description

The EcoRange cabinets offer a safe and secure solution to limit contact with concentrated chemicals and minimize the risk of theft.

### Key Features

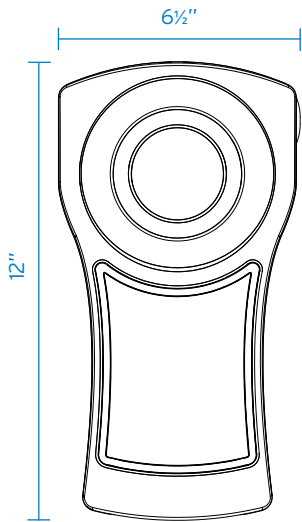
- Safe and secure storage solution, limiting accidental chemical contact
- Install on either side of your EcoShot or EcoMix cabinet for a flexible installation
- Minimize errors with color coding for visual chemical identification
- Keeps floor clear for enhanced hygiene and safety
- Add our 51 oz pouch system for exclusivity and improved customer loyalty
- Customer branding available

### Technical Specifications

<b>Installation</b>	Easy to set up, wall-mounted
<b>Capacity</b>	EcoRange Cabinet: 50 oz pouch, 64 oz or 84 oz container (with Brightwell's pouch adapter) Large EcoRange Cabinet: 101 oz pouch or 1 gal container (with Brightwell's pouch adapter)
<b>Material</b>	Cover/Backplate: Glass Bead Polypropylene (GBPP)
<b>Color</b>	Cover: Dark grey; Rings: Standard in light grey. Rings also available in blue, green, red, and yellow.
<b>Branding</b>	Front cover circular plaque can be branded with your company name or logo (MOQ's apply)
<b>Accessories</b>	Colored rings

### In the Box

Cabinet	Clear vinyl tube - 5/16" x 7/16" (20")
Cabinet key	Drilling template
Sinker support & ring (EcoMulti and EcoShot)	Screw pack
Foot valve (EcoMix)	



### Dimensions

Width	6 1/2"
Height	12"
Depth	6"

### Weight

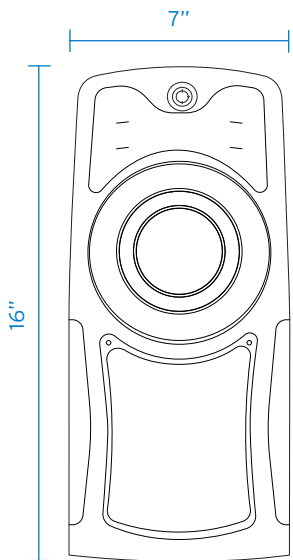
Unit	1.3 lbs
------	---------

### Part Numbers

DPCAB-1.5L/U9	EcoMix Cabinet, 51 oz Pouch
DMCAB-1.5L/U9	EcoMulti and EcoShot, 51 oz Pouch

### Shipping Info

Shipping Method	Quantity of Units	Dimensions L x W x H (in)	Net packed weight (lbs)
Unit	1	14 1/2" x 10 3/4" x 6 3/4"	1.5 lbs
Case	6	25 1/2" x 21 1/4" x 20 1/2"	11 lbs
Pallet	54	47 1/4" x 39 1/2" x 46"	115 lbs



### Dimensions

Width	7"
Height	16"
Depth	9 3/4"

### Weight

Unit	2.4 lbs
------	---------

### Part Numbers

DMCAB-2L/U9	EcoMix Cabinet, 84 oz Container
DMCAB-2L/U9	EcoMulti and EcoShot, 84 oz Container

### Shipping Info

Shipping Method	Quantity of Units	Dimensions L x W x H (in)	Net packed weight (lbs)
Unit	1	16 1/4" x 7" x 10 1/4"	3.3 lbs
Case	6	25 1/2" x 21 1/4" x 20 1/2"	22 lbs
Pallet	60	48 3/4" x 39 1/2" x 46"	242.5 lbs